

Product features:

- Metal construction throughout
- Thermostatic valve for safety & comfort
- 2 exit alternate control for output to 2 x shower or 1 x shower & 1 x bath
- Freshly designed contemporary blend
- 5 year limited warranty

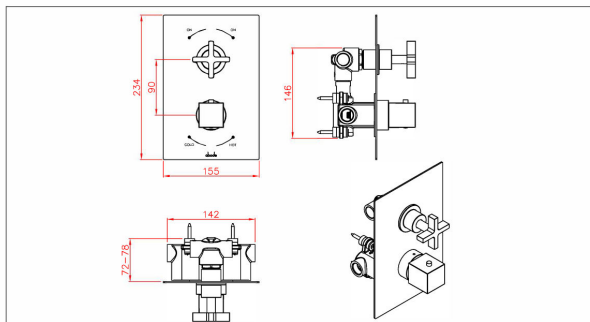
Packaged properties:

Box length (mm): 355 Box depth(mm): 150
 Box width(mm): 205 Boxed weight (Kg): 3.1

Includes pop up waste?: No

Additional comments:

Product dimensions:



Euphoria
 Thermostatic 2 Exit Concealed Shower
 (Serenitie)

AB4532/4534 v1



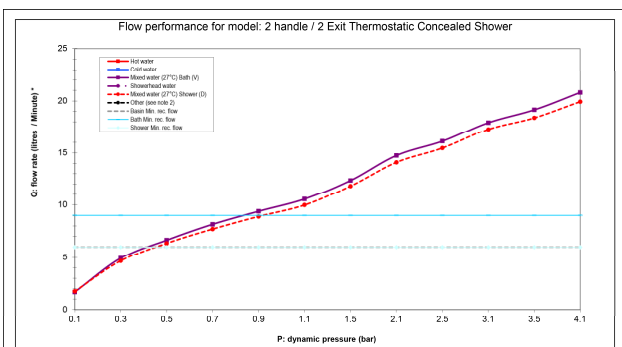
our policy is to continually improve and develop products, and accordingly we reserve the right to amend specifications without prior notice

- **Product mounted where:** Wall
- **Recommended hole size:** tbc mm
- **Overall Height / projection:** 63 (max) mm
- **Exit reach:** N/A mm
- **Exit height:** N/A mm
- **Base size:** 155 x 234 mm

• **Inlet centre distance(s):**

- **Min. fitting depth required:** 72-78 mm 10 mm
- **Max. surface depth:** n/a

Product flow characteristics:



note 1: Hot water temperature = 27.57°C
 note 2:
 © abode, not to be reproduced without prior permission
 *Flow rate data shown is correct at the time of testing, abode reserve the right to amend specification without prior notice. Min. Flow rates according to MIBC

- **Min / Max water pressure (bar):** 0.50* / 5.00
 *Detailed minimum pressure requirements for this product: Shower 0.5, Bath 0.9 (bar)

• **Part G max. mixed flow rate at 3 bar (l/m):** 17.92

- **Inlet connection type / length:** Fixed / n/a mm
- **Inlet (plumbing connection) / outlet size:** 1/2" F / 1/2" F

• **Product flow characteristics:** N/a
Non return valve(s) supplied or position: h&c inlets

• **Aerator type:** N/a

- **Control valve type:** Thermostatic and diverter (8-20)
- **Includes output diverter?:** Yes

- **Inlet meshed particle filters included:** 0.60 mm
- **Shower hose type / length:** N/A / N/A

Warranty Summary (full details available on request):

- Materials and workmanship defects warranted for 5 years
- Valves and working parts warranted for 5 years
- Surface warranty defects warranted for 1 year
- O-rings, hoses & gaskets warranted for 1 year

Care instructions:

- Clean the mixers and showers regularly as required, using soap, do not use any other cleaners.
- Regular cleaning will prevent the build-up of lime scale and dirt
- After cleaning rinse thoroughly with clean water to remove any cleaner residue
- Residues of liquid soaps, shampoos and shower foams can also cause damage, so rinse with clean water after using, avoid contact with any abrasives